



HE 425

HE 4.25-4.00 m.A. Generator



HE 425 400 mA Generator...More Power for Your Money

The HE 425 Universal 400 mA microprocessor controlled generator was designed to deliver accuracy, safety, reliability, quality and ease-of-use for the value conscious buyer. The added power enables use of shorter time to stop motion and provides peace-of-mind in penetrating patients that conventional 300 mA generators typically cannot accommodate. The HE 425 is an ideal generator for use in hectic clinics, private and group practices.

Combine the HE 425 with Universal's far-reaching choice of tables, tubestands and wall stands for a high-powered system or...replace an existing troublesome, outdated generator with the HE 425.

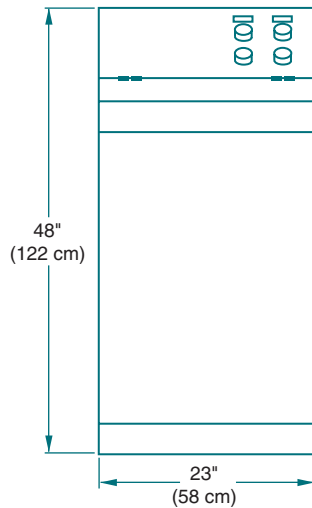
For over 70 years Universal has been the name trusted for designing and manufacturing high quality equipment that delivers superior quality images with combined safety for both patient and operator.

Standard Features

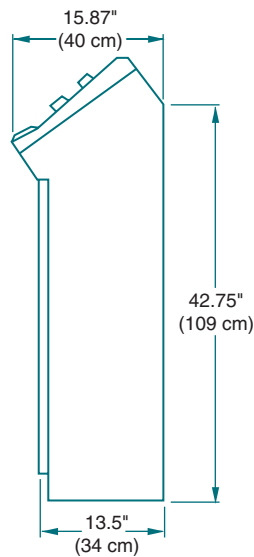
- Ergonomically designed panel for ease-of-use
- Digital display of kVp and mAs
- Control mounted positioning guide and technique chart
- Tube protect circuitry extends tube life
- Independent prep and exposure process controls when exposure is made thus eliminating retakes
- Independent table and wall bucky selectors
- Automatic compensation of kV and mA for unstable lines eliminates unpredictable x-ray output

Technical Features

- 400 mA at 100 kVp, 300 mA at 125 kVp
- 6 mA stations, 25/50/100S, 200/300/400L
- 23 step digital timer - .008 to 6 sec.
- kV selection of 40 to 125 to within 1 kV of desired value
- Self diagnostics continuously monitors system condition
- Triple tube protection; inhibits exposure if technique selected exceeds tube rating; exposure inhibited if tube rotor fails; overload circuit limits tube current during exposure
- Internal 24VAC and DC power supply to operate collimator light and electric locks for most tables and tubestands.



Transformer Dimensions:



19.5" (49.5 cm) wide
17" (43.2 cm) deep
18.25" (46.4 cm) tall

Electrical Recommendation

208-277V single phase input voltage, min. 100 amp. disconnect

Complies with all CDH performance standards in effect at the date of manufacture.

As we strived for constant improvement, specifications are subject to change without notice.

Made in U.S.A. – UL Listed

